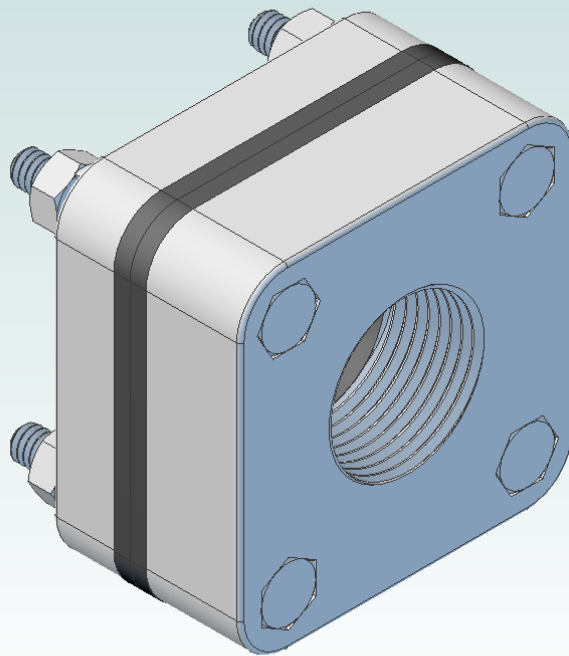


100-TFC - POLY BOLTED FULL PORT TANK FITTING



MATERIAL - POLYPROPYLENE  
EPDM OR VITON  
SS HARDWARE